

# Datasheet

## Wall Screen

Part No: YR101



Bisly 10.1" dedicated control screen is a special innovative device developed to offer the best smart home user control experience. It can be integrated into a wall - with a wide option of design frames available or it can be used as a stand-alone device. The Bisly dedicated screen has self-updating capability and is developed to last over many years (has no integrated battery, no external power supply - runs over POE).

## Device Data

System	CPU: 1.8GHz 64-bit Quad Core RAM: 4GB DDR3 Internal storage: 16GB Samsung eMMC Operation system: Android 7.x or newer
Power consumption	max. 6W
Display	Screen: 10.1" LCD multitouch Resolution: 1280 x 800 pixels Aspect ratio: 16:9 Display brightness : 350 cd/m2
Network	WiFi: 802.11b/g/n/ac Ethernet: 10/100
Interfaces	USB: USB3, USB-C Power: PoE (Power Over Ethernet), 12V DC RJ-45: Network interface Headset: 3.5mm stereo headphone output Card slot: SD card up to 32GB Camera, Microphone, Stereo speakers

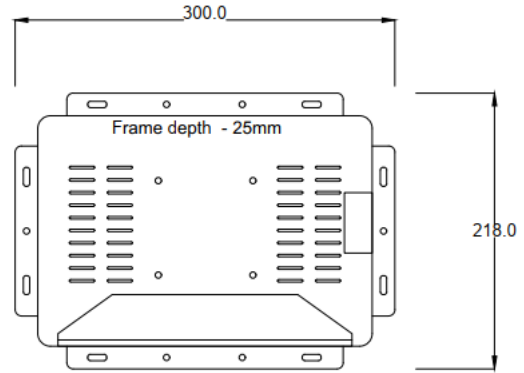
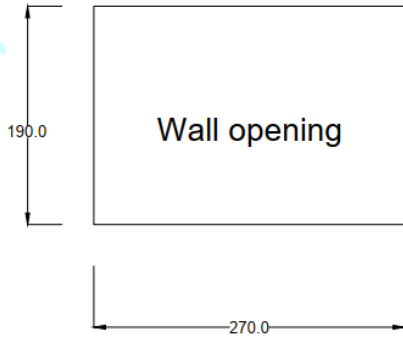
## Product Characteristics

Mounting type	On desk, in wall (mount see below) or Vesa 75x75mm
Colours	Black
Finish	Glossy

## Screen weight & Dimensions (without wall mount)

Weight	680g
Product dimensions	260x178x28mm

## Wall Mount (installation in wall)



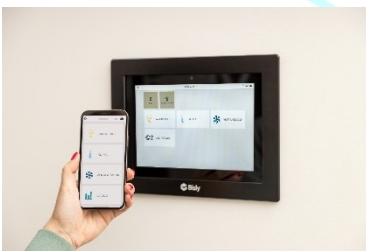
## Front Frame for wall mount

Frame dimensions	328X270x7mm
Frame colours	Black, Red, Gold, Silver or on customer demand.

## Certifications & Standards

Environmental protection class	IP30
Standards compliance	EN 60950-1:2006, EN 62311:2008, EN 300 328, EN 301 489-1, EN 301 489-17

## Photos (installation and optional exclusive alloy frames):



Published by:

Bisly ®  
 info@bisly.com  
 www.bisly.com

